

VERDANT JL 20

L-Band GPS Antenna

JL 20 is a dual-band L1/L2 passive GPS antenna providing coverage at 1227.6 MHz and 1575 MHz, with a VSWR of 2.0:1. The vacuum molded composite radome provides enhanced protection against the environmental severities. This antenna is ideal for high speed military aircrafts.



SPECIFICATIONS

ELECTRICAL

| | |
|-------------------|--|
| Frequency Range | 1565 MHz -1585 MHz 1217 MHz -1237 MHz |
| VSWR | 2.0:1 |
| Polarization | RHCP |
| Radiation Pattern | Cardioid |
| Impedance | 50 Ohms Nominal |
| Static Protection | DC Grounded |
| Power RF | 1 W |

MECHANICAL

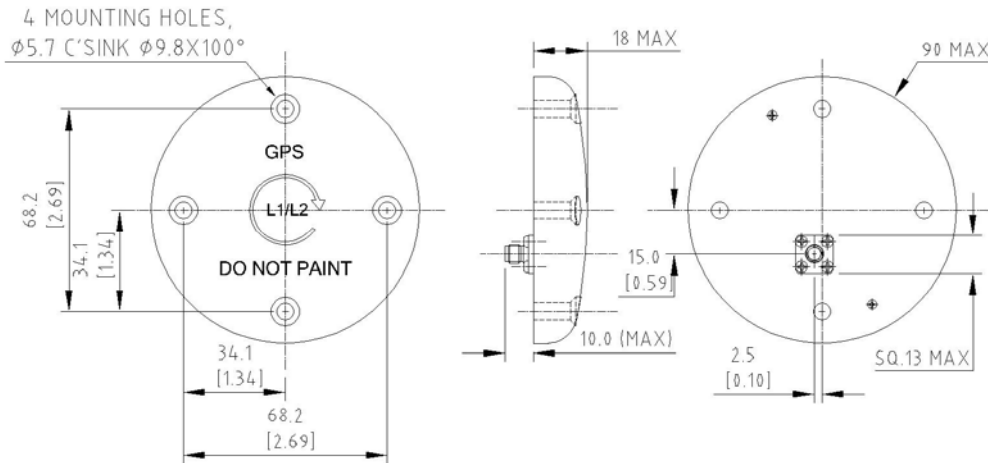
| | |
|-----------|------------------------|
| Weight | 200 grams (Max) |
| Height | 18 mm (Max) |
| Material | Reinforced Glass Epoxy |
| Finish | PU Gloss |
| Connector | SMA Female |

ENVIRONMENTAL

| | |
|-------------|----------------|
| Temperature | -55°C to +90°C |
| Altitude | 60,000 feet |

**Contact us for your customized requirements*

Tests in accordance with MIL 810 F



Dimensions are in mm
Inches shown in bracket

0413 Rev 00



VERDANT TELEMETRY & ANTENNA SYSTEMS Pvt. Ltd.
COCHIN – 682013, INDIA.
Tel: +91-484-2663104 Fax: +91-484-2663576
e-mail: sales@verdanttelemetry.com
Website : www.verdanttelemetry.com

*All data contained herein is subject to change without notice

